

JSAL Series LED Slim Area Light



Jarvis JSAL Series

Quick-mount arm attaches to pole and allows luminaire to hook onto bracket

Quick-mount arm attaches to both round and square poles

Quick-mount arm can be swapped with quick-mount slipfitter or quick-mount trunnion in seconds

Competitors' Products

Mounting arm is attached to fixture making installation difficult

Mounting arm only attaches to one style of pole

Mounting method is not changeable or requires opening up the light fixture to change



JSAL-19L-QA

JSAL-39L-SFM

Most Popular Models and Specifications:

Catalog #	Description	Input	Power	Lumens	CCT	CRI	PF
JSAL-14L-40K-UV-T3-BRZ-[QA,TQA,SFM,BR]-[DM,MS,PC]	Bronze Slim Area Light w/ Type III Optics	100-277V 50/60Hz	100W	14,298 lm	4000K	≥ 70	≥ 0.9
JSAL-14L-50K-UV-T3-BRZ-[QA,TQA,SFM,BR]-[DM,MS,PC]	Bronze Slim Area Light w/ Type III Optics	100-277V 50/60Hz	100W	14,298 lm	5000K	≥ 70	≥ 0.9
JSAL-14L-50K-UV-T3-WHT-[QA,TQA,SFM,BR]-[DM,MS,PC]	White Slim Area Light w/ Type III Optics	100-277V 50/60Hz	100W	14,298 lm	5000K	≥ 70	≥ 0.9
JSAL-19L-40K-UV-T3-BRZ-[QA,TQA,SFM,BR]-[DM,MS,PC]	Bronze Slim Area Light w/ Type III Optics	100-277V 50/60Hz	150W	19,500 lm	4000K	≥ 70	≥ 0.9
JSAL-19L-50K-UV-T3-BRZ-[QA,TQA,SFM,BR]-[DM,MS,PC]	Bronze Slim Area Light w/ Type III Optics	100-277V 50/60Hz	150W	19,500 lm	5000K	≥ 70	≥ 0.9
JSAL-19L-50K-UV-T3-WHT-[QA,TQA,SFM,BR]-[DM,MS,PC]	White Slim Area Light w/ Type III Optics	100-277V 50/60Hz	150W	19,500 lm	5000K	≥ 70	≥ 0.9
JSAL-27L-40K-UV-T3-BRZ-[QA,TQA,SFM,BR]-[DM,MS,PC]	Bronze Slim Area Light w/ Type III Optics	100-277V 50/60Hz	200W	27,880 lm	4000K	≥ 70	≥ 0.9
JSAL-27L-50K-UV-T3-BRZ-[QA,TQA,SFM,BR]-[DM,MS,PC]	Bronze Slim Area Light w/ Type III Optics	100-277V 50/60Hz	200W	27,880 lm	5000K	≥ 70	≥ 0.9
JSAL-27L-50K-UV-T3-WHT-[QA,TQA,SFM,BR]-[DM,MS,PC]	White Slim Area Light w/ Type III Optics	100-277V 50/60Hz	200W	27,880 lm	5000K	≥ 70	≥ 0.9
JSAL-33L-40K-UV-T3-BRZ-[QA,TQA,SFM,BR]-[DM,MS,PC]	Bronze Slim Area Light w/ Type III Optics	100-277V 50/60Hz	240W	33,849 lm	4000K	≥ 70	≥ 0.9
JSAL-33L-50K-UV-T3-BRZ-[QA,TQA,SFM,BR]-[DM,MS,PC]	Bronze Slim Area Light w/ Type III Optics	100-277V 50/60Hz	240W	33,849 lm	5000K	≥ 70	≥ 0.9
JSAL-33L-50K-UV-T3-WHT-[QA,TQA,SFM,BR]-[DM,MS,PC]	White Slim Area Light w/ Type III Optics	100-277V 50/60Hz	240W	33,849 lm	5000K	≥ 70	≥ 0.9
JSAL-39L-40K-UV-T3-BRZ-[QA,TQA,SFM,BR]-[DM,MS,PC]	Bronze Slim Area Light w/ Type III Optics	100-277V 50/60Hz	300W	39,000 lm	4000K	≥ 70	≥ 0.9
JSAL-39L-50K-UV-T3-BRZ-[QA,TQA,SFM,BR]-[DM,MS,PC]	Bronze Slim Area Light w/ Type III Optics	100-277V 50/60Hz	300W	39,000 lm	5000K	≥ 70	≥ 0.9
JSAL-39L-50K-UV-T3-WHT-[QA,TQA,SFM,BR]-[DM,MS,PC]	White Slim Area Light w/ Type III Optics	100-277V 50/60Hz	300W	39,000 lm	5000K	≥ 70	≥ 0.9

Select Mounting and Accessory Options When Ordering

Mounting Options

-QA	Quick Mounting Direct Arm for Square/Round Poles
-TQA	Adjustable Quick Mounting Direct Arm for Square/Round Poles
-SFM	Slipfitter Mount Arm
-BR	Trunnion Mount Arm

Accessory Options

-DM	1-10V Dimming (Default)
-PC	Twist Lock Photo Controller
-MS	Programmable Bi-Level Dimming PIR Motion Sensor

Electrical

Input Voltage: 100-277V 50/60Hz

Power Factor: >.9 at full load

Total Harmonic Distortion: <20% full load

Operating Temperature Range: -40°C to 40°C Ambient (-40°F to 104°F)

Includes over voltage protection, over current protection, and short circuit protection

Controls and Dimming

1-10V dimming leads are default on all 100-277V input models and accessible outside fixture body.

Programmable Outdoor Sensor with Photocontrol and Motion-Activated Dimming

The IP65 rated outdoor sensor utilizes line voltage On/Off switching and 0-10V dimming to provide multi-level control based on both motion and/or ambient natural lighting levels. When ordered with this sensor, the fixture will automatically detect both light levels and motion. The default settings will cause the light fixture to turn completely off during the daytime and will turn on at 30% brightness at night.

If motion is detected at night, the fixture will increase its brightness to 100%. When motion is no longer detected, the light fixture will decrease its brightness back to 30%. The light fixture will then turn itself off entirely at sunrise.

The programmable outdoor sensor can be combined with a programmable controller to allow for custom programming. The controller is part number A315. The JSAL Series is also compatible with many other photosensors and motion sensor systems.

Contact a Jarvis representative for more information.



Programmable Integrated Motion Sensor

Twist Lock Photo Controller

JSAL Series can be ordered with an integrated twist lock photo controller. The twist lock photo controller is IP65 rated and will turn fixture on or off based on ambient light levels.



Twist Lock Photocontroller

Construction and Materials

Housing is constructed from die-cast aluminum and features either an adjustable slipfitter mount, direct quick mount, or adjustable trunnion mount.

Die-cast housing features a powdercoat finish. Powdercoat finish is applied directly to aluminum housing and will not crack or peel. Default color is bronze. White finishes are readily available as a standard color. Custom colors are available. Contact factory for additional color information.

LEDs are reflow soldered to a metal core circuit board, providing greater thermal transfer than standard circuit board materials. Thermally-conductive material is positioned between LEDs and housing to provide increased thermal transfer.

High quality waterproof valve keeps internal and external pressure balanced to prevent moisture accumulation in optical chamber.

Lens construction is UV-resistant PC material with Type III optics.

Luminaire's construction contains zero mercury.

Fasteners are stainless-steel and will not rust or create rust-streaks.

Regulatory and Voluntary Qualifications

UL listed to UL1598 and UL8750 for both US and Canada State of California Title 24 Compliant when installed in accordance with local requirements

Rated for Wet and Dry Locations

Certain models qualify as assembled in Illinois.

Contact a Jarvis representative for more information



JSAL-39L-QA

Warranty and Lifetime

JSAL Series carries a 10-year warranty, sensors and photo control warranty may differ from fixture. Contact Jarvis representative for details.

Projected LED lifetime exceeds 50,000 hours under most operating conditions. Lifetime projections are calculated using data including LM-79, LM-80 and TM-21 calculations.

Contact Jarvis representative for details.

Installation

Luminaire can be ordered with 1 of 3 different mounting options - please indicate at time of order by selecting "QA" quick arm, "SFM" slipfitter mount, or "BR" trunnion mount. Luminaire ships with at least 7" of wire protruding from fixture to allow for ease of wiring.

The "SFM" slipfitter mount allows luminaire to be installed onto a round pole-top, tenon or pipe-stub up to 2.4" in diameter. Slipfitter is adjustable and luminaire may be positioned with LEDs parallel to ground or tilted back up to 90 degrees.

The "QA" quick arm allows luminaire to be installed onto either a square or round pole-side. Included round pole mounting adapter required for round pole installations. The direct mount is non-adjustable and will mount with LEDs parallel to the ground.

The "TQA" adjustable quick arm allows luminaire to be installed onto either a square or round pole-side. Included round pole mounting adapter required for round pole installations. The "TQA" mount is adjustable and the luminaire may be positioned with LEDs parallel to the ground or tilted back up to 90 degrees.

The "BR" trunnion arm allows luminaire to be installed onto either a wall or 4"x3" flat surface. Trunnion is adjustable and luminaire may be positioned with LEDs parallel to ground or tilted back up to 90 degrees.

Contact a Jarvis Representative for full installation instructions, videos or additional information.



JSAL-19L-BR

Accessories

Jarvis Lighting manufactures a full line of mounting tenons for 4" and 5" light poles. Available accessories include single, double, triple and quadruple tenons in multiple configurations. Short and long tenons are available. Wall mount brackets are available.

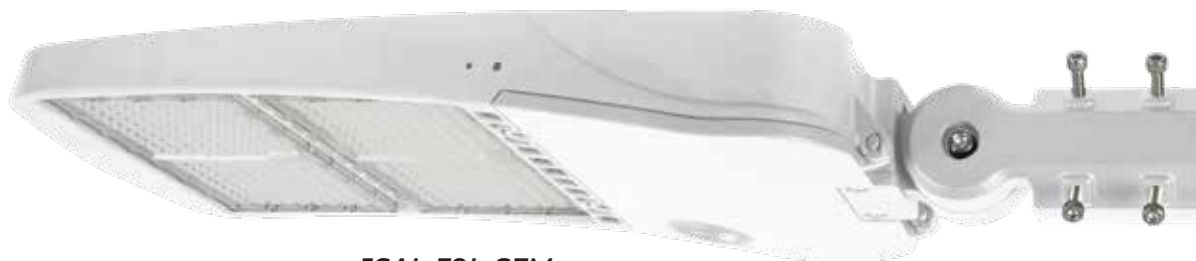
Contact a Jarvis representative for information regarding our full selection of tenons.

Photometrics

Photometric information, including LM-79 reports and .IES files are available for most models at www.jarvislighting.com. Site photometrics and lighting layouts are available. Contact a Jarvis representative.



JSAL-39L-BR



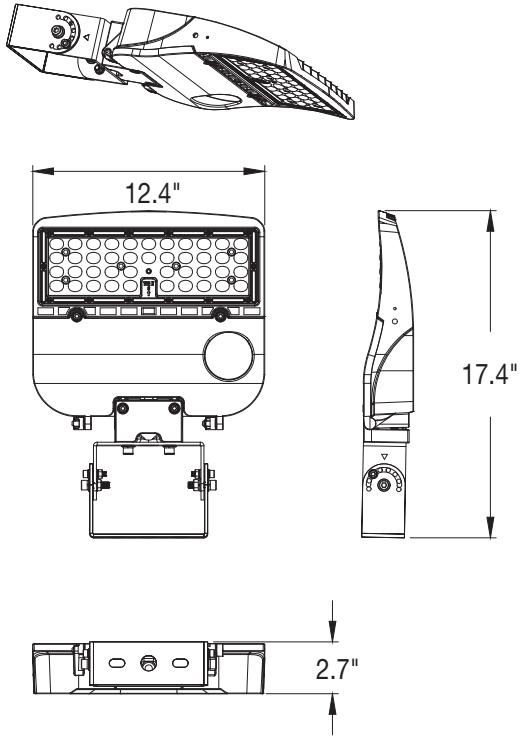
JSAL-39L-SFM

Product Weight:

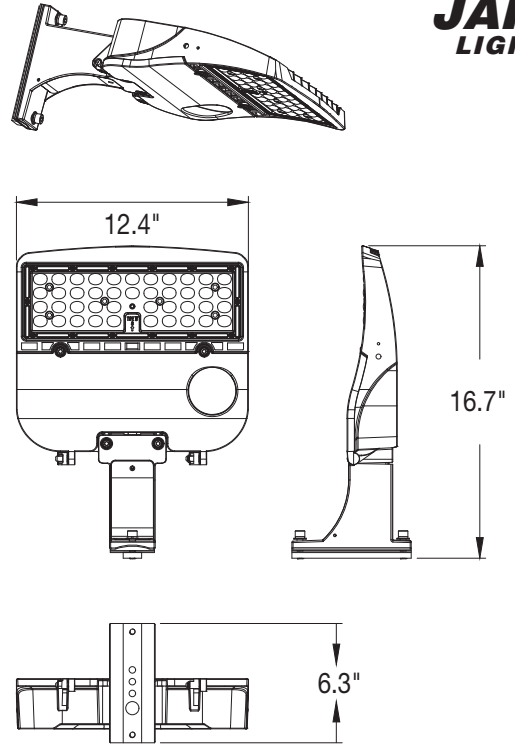
	Catalog #				
Mounting Arm	JSAL-14L	JSAL-19L	JSAL-27L	JSAL-33L	JSAL-39L
-QA	11.2 lb	11.5 lb	11.7 lb	15.0 lb	16.1 lb
-TQA	12.3 lb	14.3 lb	13.2 lb	16.5 lb	17.6 lb
-SFM	11.2 lb	11.9 lb	12.1 lb	15.4 lb	16.5 lb
-BR	11.2 lb	11.9 lb	12.1 lb	15.4 lb	16.5 lb

Dimensions:

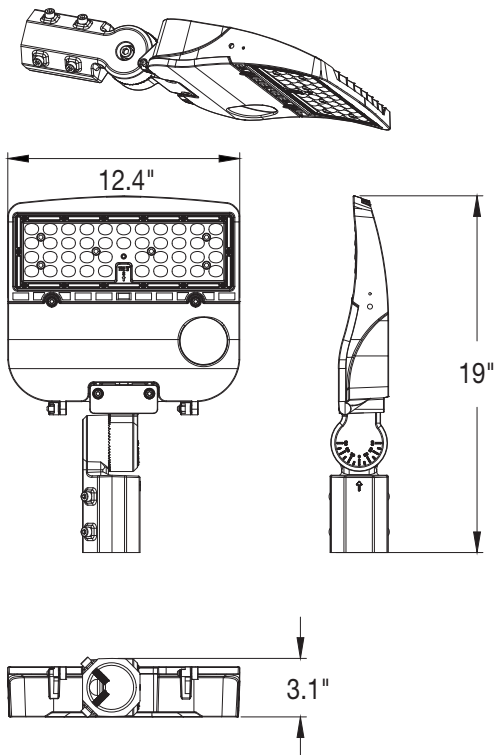
JSAL-14L/19L-BR



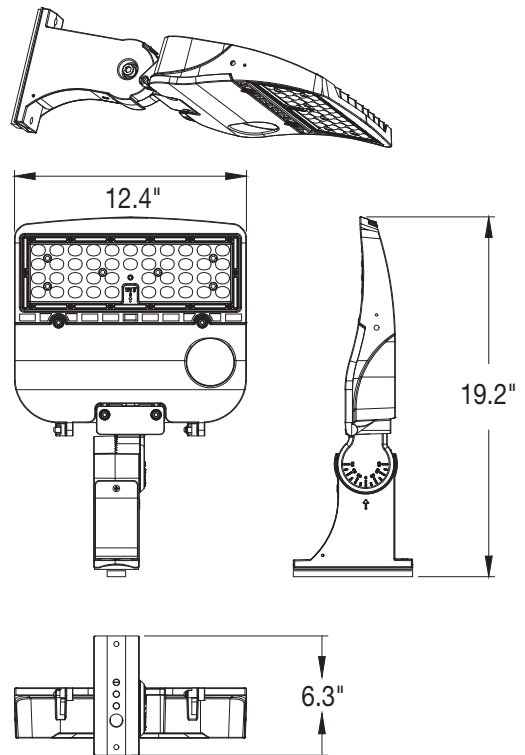
JSAL-14L/19L-QA



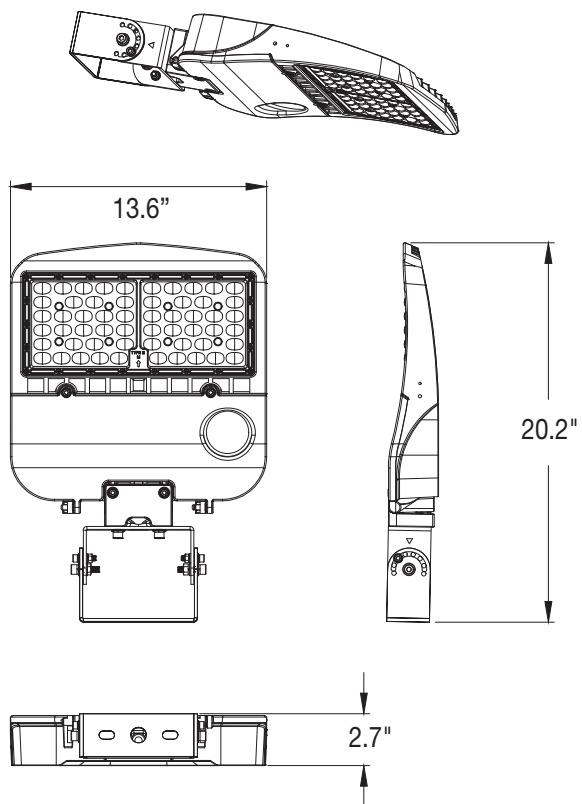
JSAL-14L/19L-SFM



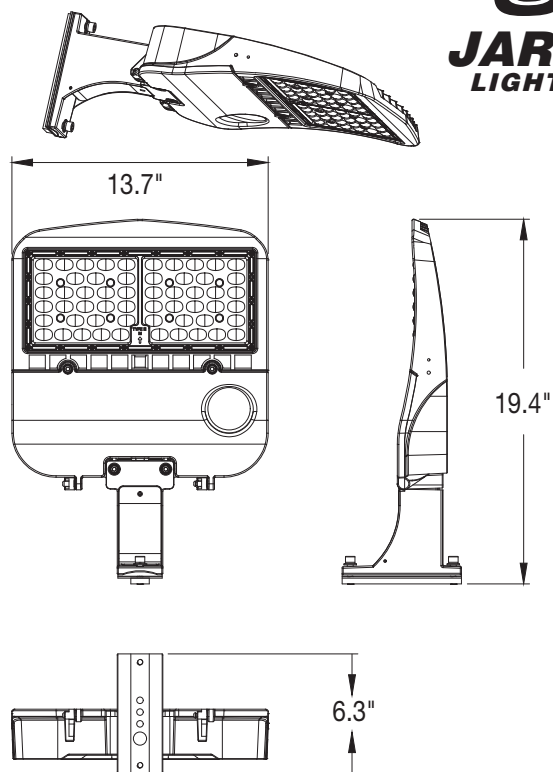
JSAL-14L/19L-TQA



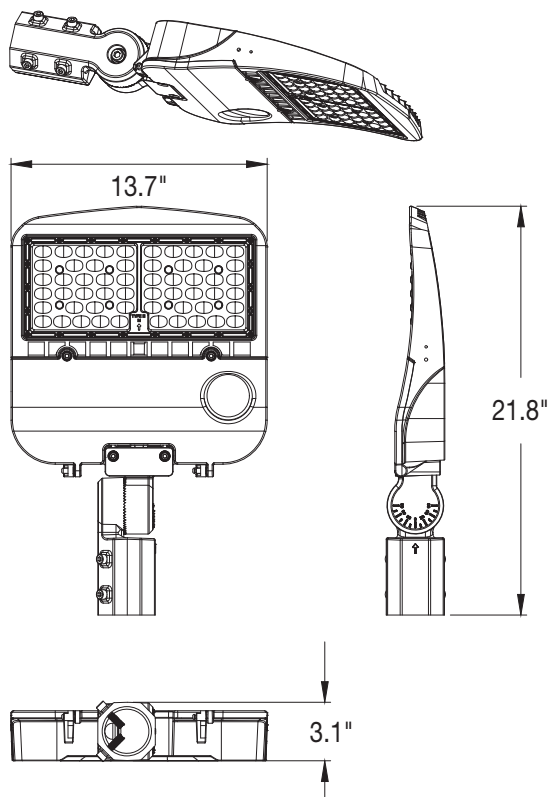
JSAL-27L-BR



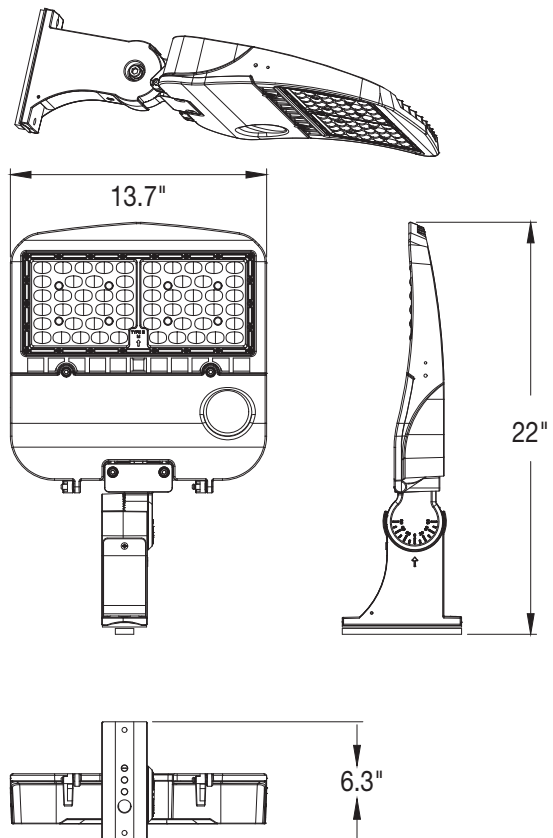
JSAL-27L-QA



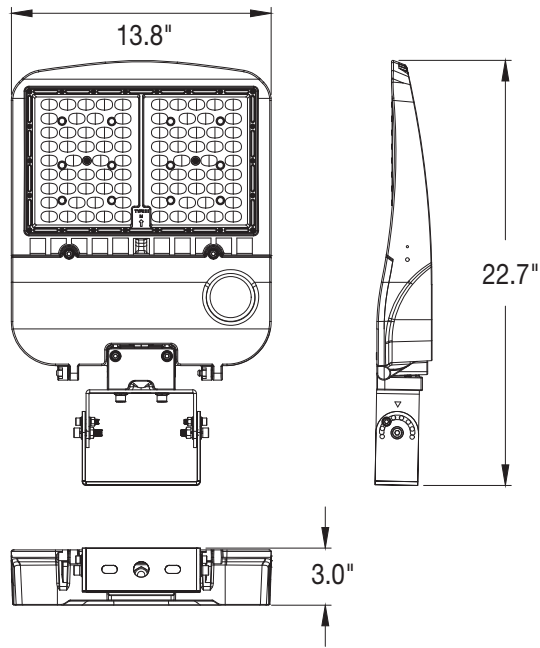
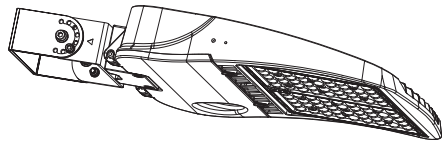
JSAL-27L-SFM



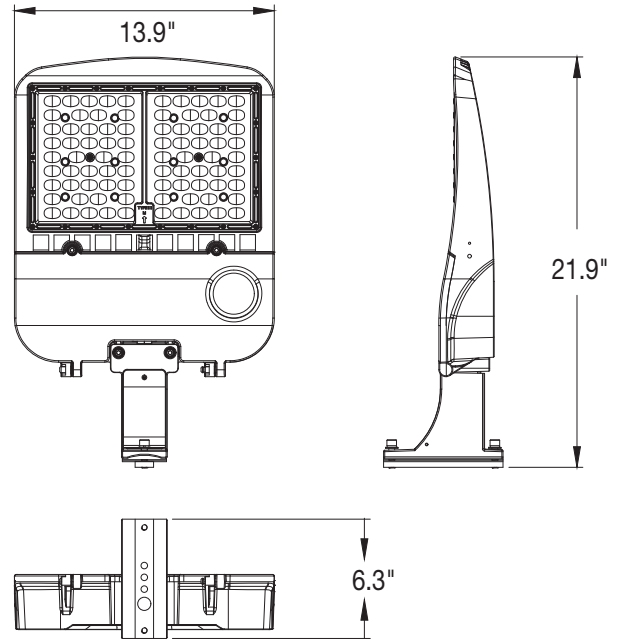
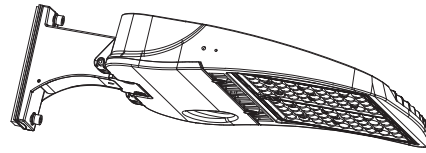
JSAL-27L-TQA



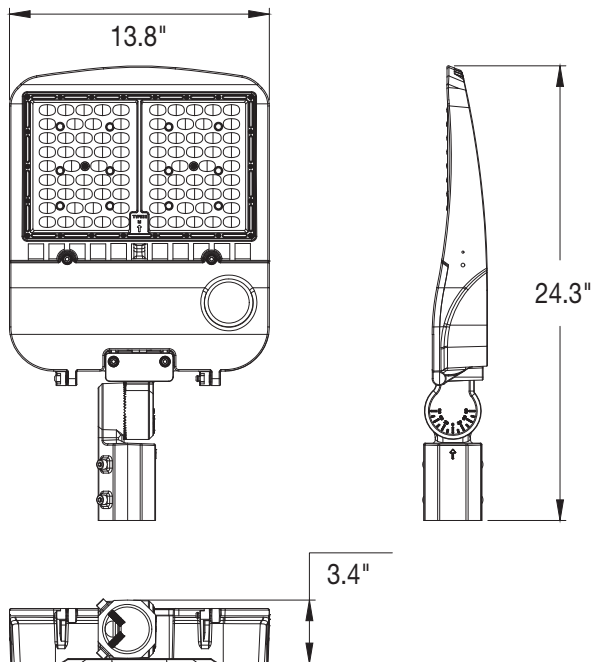
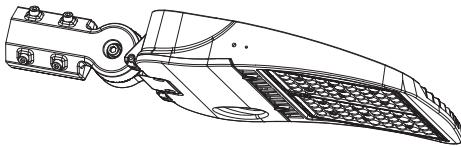
JSAL-33L-BR



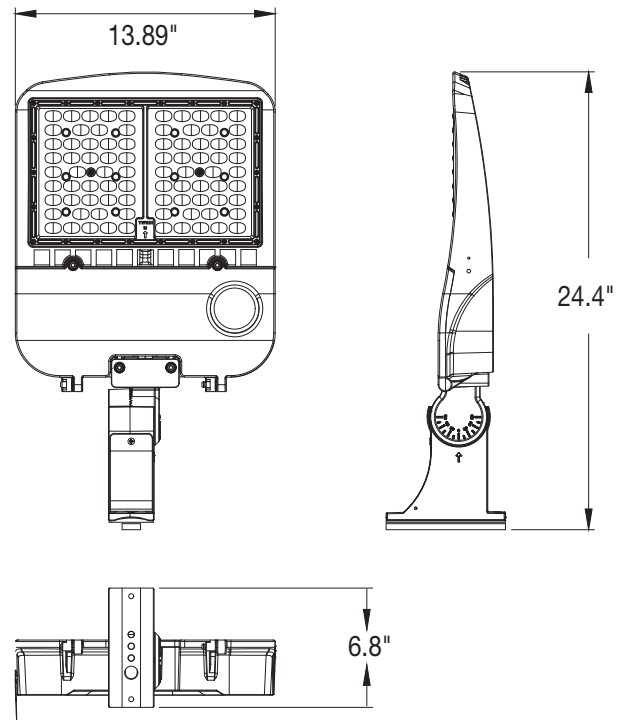
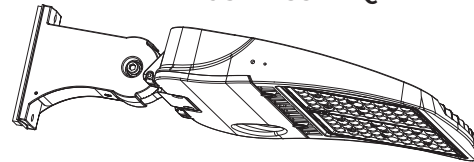
JSAL-33L-QA



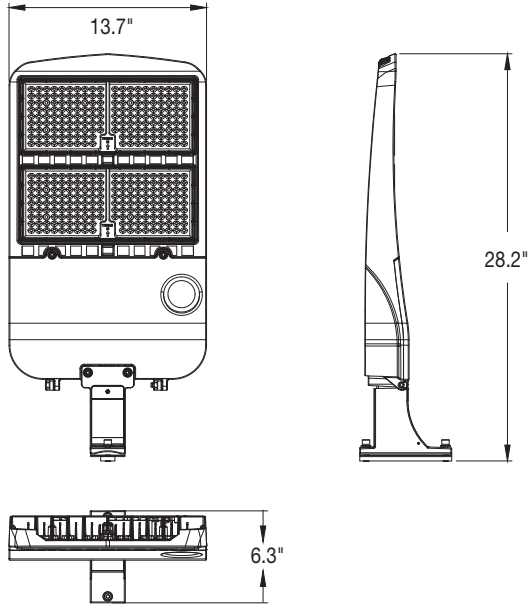
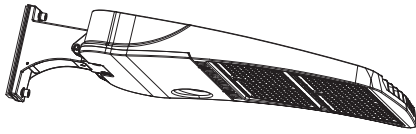
JSAL-33L-SFM



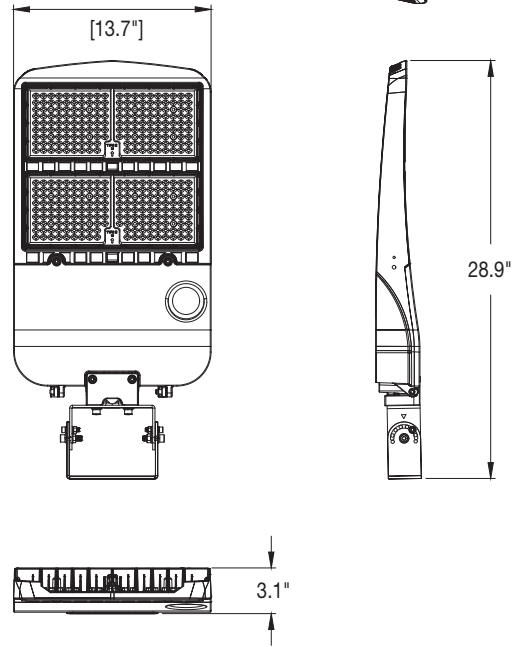
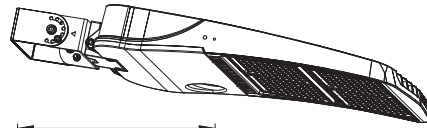
JSAL-33L-TQA



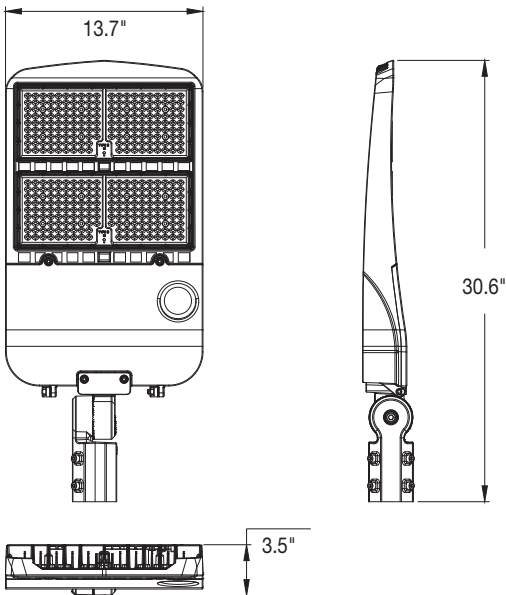
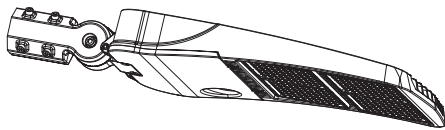
JSAL-39-QA



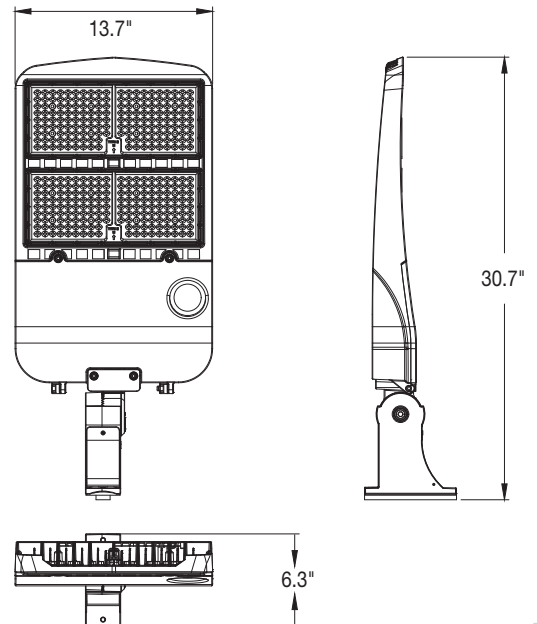
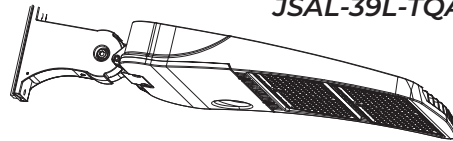
JSAL-39L-BR



JSAL-39L-SFM



JSAL-39L-TQA



BRIGHT DONE RIGHT™

